



Commercial Garage Door Operator



1 Year Warranty



Model 815-SL Series II FOR DEAD AXLE ROLL-UP SHEET STEEL DOORS

1 Man Installation Slim Line-Requires only 1" Side Room Soft Start-Fast Open/Close-Soft Stop
Extremely Compact and Quiet DC Motor and Controller
Operates doors up to 170 SQ Ft in area / Weight up to 500 lbs.

Standard Features

Motor and controller

- Easy 1 man mounting over a 1 5/16" rolling door shaft, eliminating Wall mount and Hood Mount of jackshaft operator on Dead Axle Rolling Sheet Doors. Further eliminates bolting sprockets to the barrel's end. Eliminates welding supports to mount jackshaft operators to walls of steel buildings.
- Powerful continuous duty, 650 Newton, low voltage DC motor.
- Dependable Soft Start Controller that prevents the ballooning of the curtain. NEMA 4 three button controller.
- Automatic Obstruction Sensing and instant stop and reverse without safety edge and associated coil cord. Controller senses obstruction on any part of the door, not limited to edge contact.
- Built in timer to close programming.
- Built in service due reminder.
- Built in delay close programming.
- Built in cycle counter
- Built in part open programming
- Floor level over-ride lever allowing instant manual operation.
- Safe operation without constant pressure close. Constant pressure close, available with the flip of a switch.
- Pre-wired to accept most photo cells, loop detectors, microwave sensors, treadles, and other accessories.
- Built in light control for dock lights turning light on when door is raised and off when door closes or 4 minute timed control for accessory light. 3.5amp Draw. 6 amp draw with dock light.
- No thermal overloading.
- Easy service. No limits, limit traveler cams, clutches, or contactors to replace.
- Minimal Parts to Stock reducing inventory
- Eliminates need for 230V or 460V 3 phase power, further reducing electrical construction costs.
- Safe operation for use of a slide lock for those situations not requiring the use of radio controls.
- Versatile application. Left or right side mount requiring virtually no side room.
- Detects unsafe door operation automatically.



Commercial Garage Door Operator

Model 815SL

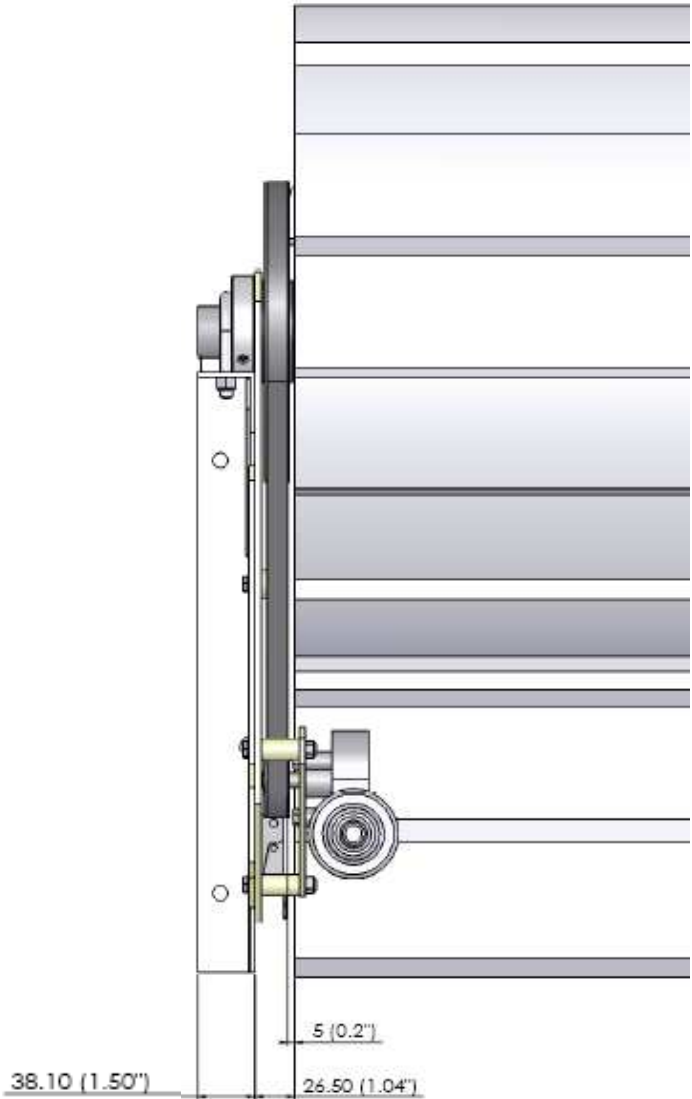
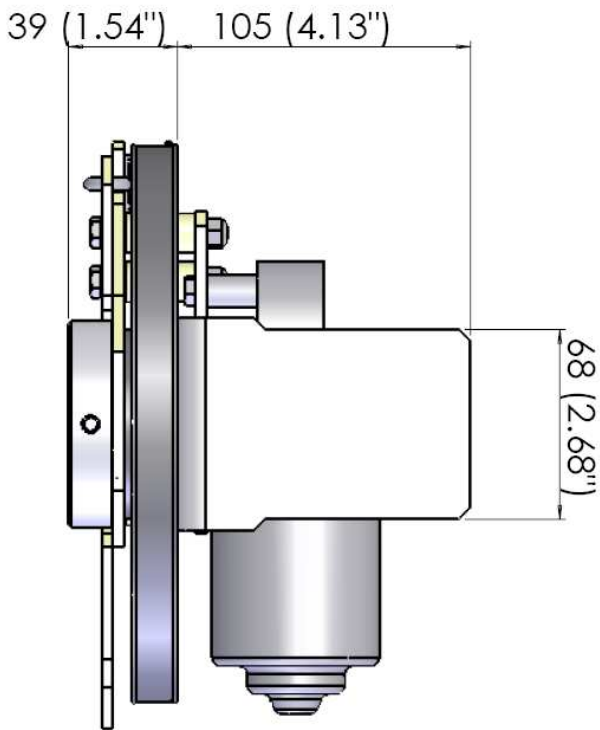
Accessories

- **Battery Back up**
- **Plug in radio receiver with internal antenna or optional external antenna. Receiver has tunable distance feature to allow repeated use of transmitters on multiple banks of doors. Allows up to 60 Transmitters.**
- **2 channel visor grip transmitter**
- **4 channel key chain transmitter**
- **6 Channel, High Visibility Orange heavy duty transmitter for industrial use**
- **1-6 channel, permanently mounted fork lift transmitter that wires to multiple voltage systems, eliminating repeatedly lost or damaged transmitters.**
- **871 Interface card that allows the adaptation of non OEM radio controls and additional expansion plugs for stop, close, open functions.**
- **872 Expansion base for 10 pin socket connector that allows for use of 871 and 8070 Auto-lock.**
- **873 Pull Cord Module**
- **82 TLM Traffic light module. Light control for accessory traffic light for non dock related applications. Provides Interlock for sally port application or other Door closed applications. Also provides additional 10 pin socket connection for auto-lock or 871 interface card application.**
- **82DTLM Traffic light module. Light Control for accessory dock access light control. Built in interlock for restricting dock operation or other Door open applications.**
- **850 Beeper Module. Enables audible programming of controller and audible annunciation of the service due reminder and operations counter.**
- **2414 External mount antenna**
- **401000 Retro-Reflective Photo Cell. 26' Range.**
- **401001 Through Beam Photo Cell. 33' Range.**
- **ZA0078 Low voltage Motor Cable for with overall height of 16' to 22'.**
- **(1100-CC) 24V Single Loop Detector with clear view case lid**
- **(1100-120-CC) 120V Twin Magnetic Loop Detector**
- **(1100-240-CC) 240V Twin Magnetic Loop Detector**



Commercial Garage Door Operator

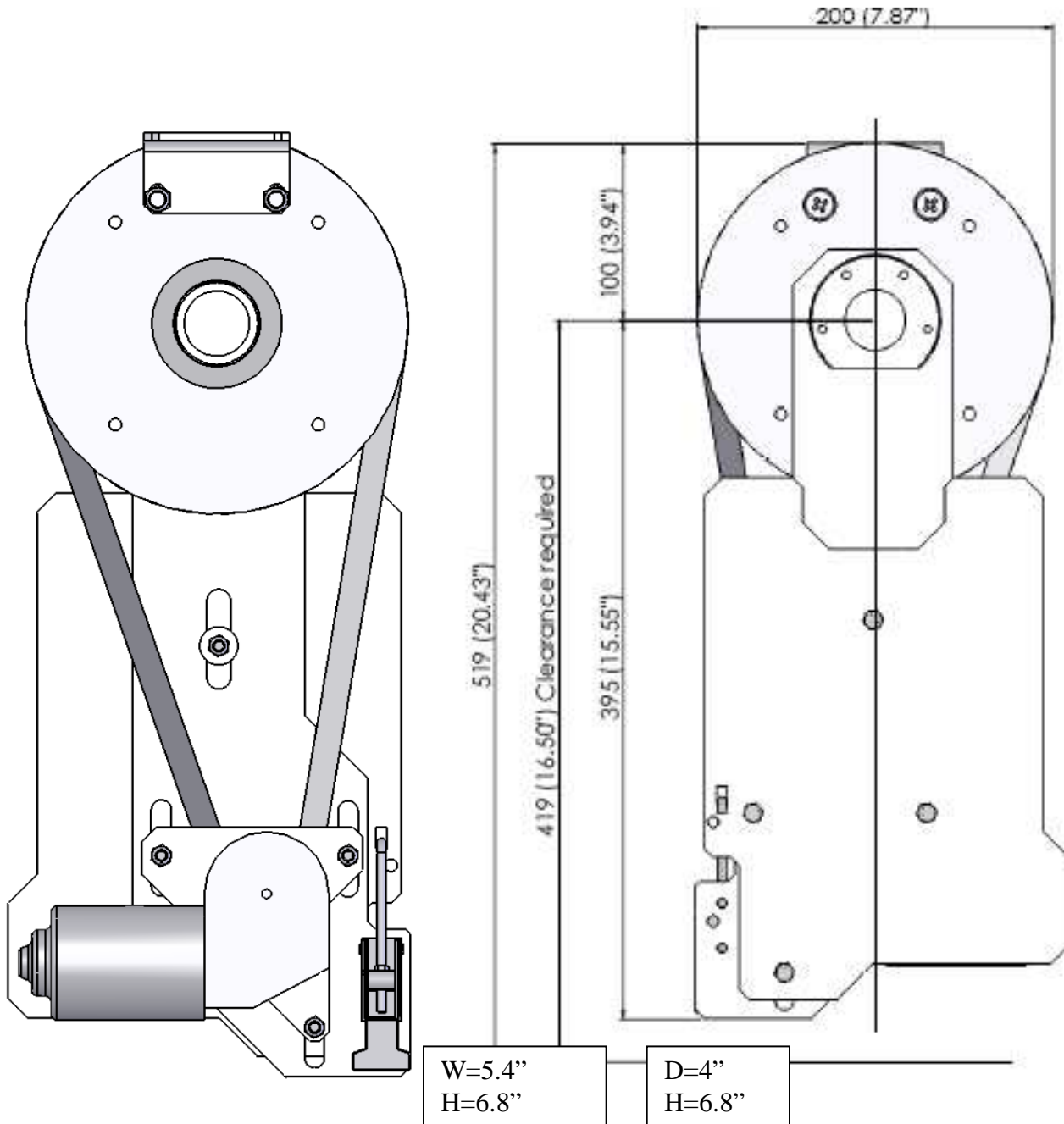
Dimensional Drawings





Commercial Garage Door Operator

Dimensional Drawings





Commercial Garage Door Operator

ZAP SUPER DRIVE CONTROL SYSTEMS FOR SECTIONAL DOORS GENERAL SPECIFICATION: MODELS 815SL

Motor:	800 SERIES		
Power rating:	650 Newton's		
RPM:	Fast Speed:	48	
	Slow Speed:	24	
Speed Change Points :	Self-Calibrating		
Max Cycle Count :	Continuous		
Motor Temp/Cycles:	to 37.5 deg C/100 deg F:	24	25
	to 35 deg C/95 deg F :	20	23
	to 30 deg C/85 deg F :	18	21
	to 28 deg C/82 deg F :	16	19
	Operating Temperature Range:	-22 deg F to 212 deg F	
	Overload protection :	Inherent motor current sensing	
	Lubrication:	Permanent	

DRIVE MECHANISIM

Drive Means:	High grip Long Life V-Belt.
Reduction means:	Worm Drive Gearbox & V-Belt reduction drive.
	Reduction Drive:
	815-SL:

DOOR SPEED

Door speed will depend on the size and weight of the door.
A gradual soft start ensures that the door should not balloon during the start of the close cycle.
Typical maximum door speeds are: 8" – 10" per second.

Fitting:

DOOR SIZE

Maximum door size: 170 sq Ft nominal.

DOOR WEIGHT

Maximum door weight 500 LBS

DOOR HEIGHT

Minimum height 6.5 Ft

Maximum height: 33 Ft

LOGIC TYPE

Solid-State Micro-Controller with built in surge suppression.

TEMPERATURE RANGE

Controller Ambient range -17 deg F to +185 deg F.

The Control unit internal temperature is higher than the outside ambient as the transformer heating warms the internal air. Thus in cold room applications the case internal temperature will be significantly higher than the ambient.

ADJUSTMENTS

Maximum Force/Max Motor Power: Factory preset may be adjusted

Close Sensitivity.

Limit Adjustment: (No limit adjustment is required as it is automatic).

Speed Change Points are Self Calibrating.

ELECTRICAL

Supply: Single Phase
Voltage: US: 120V A/C 50/60 Hz
Wattage: 800 Motor Controller: 264 watts. Lighting output 500 watts
Current rating: 800 Motor-Controller: US: 2.2 Amps
Lighting Output: US: 4.2 Amps

LIMIT ADJUSTMENT

None required (Automatic obstruction sensing built-in).

CONVENIENCE/SAFETY

Emergency/Quick Release drive disconnect/reconnect.
Down Safety Reverse.
Impact on any part of the door while closing.
Up Safety Stop.
Safety Terminals for Photo-Eyes, Magnetic Loop Detectors Etc.
Auto-Open connections for Loop Detectors, Photo-Eyes or Radar.
Auto-Close timer: Selectable by panel switch.
Timer is adjustable from 1 second to 2 minutes.
Factory preset to 15 seconds.
Safety circuit break from Photo-Eyes etc. will reset timer.
Automatic Door Lock option: Plug-in card and Solenoid Lock model 8070.
Use of standard slide lock allowable when integrated locking mechanism not required

RADIO CONTROLS

Optional Plug in Receiver with Adjustable operating range.
Optional internal antenna or external wall mounting antenna
Optional 2 Channel Visor Grip Transmitter
Optional 4 Channel Key Chain Transmitter
Optional 6 Channel Hand Held Transmitter
Optional Permanently Mounted Forklift Transmitter. Hardwires to Battery. 1,4, & 6 Channels
Optional Permanently Mounted Weatherproof Forklift Transmitter. Hardwires to Battery. 1,4, & 6 Channels
Optional Accessory Radio Interface card model 871 allows interface of other manufacturers externally mounted receivers.
The operating range of other manufacturers accessory transmitters will depend upon the type and manufacturer.

LIGHTING CONTROL

Operating mode: Switch selectable either:
A: On a three minute timer from the last door operation.
B: To switch on when the door opens and off when closed for Loading Bay Dock Light Control

Maximum Wattage: 500 watts

MATERIALS

Jackshaft Drive main components: Steel.
Pulley: Aluminum.

DIMENSIONS:

CONTROLLER: **800**
H:6.5"
W:5.4"
D:4.0"

JACKSHAFT OPERATOR: 815-SD

HEIGHT: 15.55"
WIDTH (Without tongue): 3.6"
WIDTH (With Tongue): 7.64"
DEPTH (without toque arm): 7.87"
SIDE CLEARANCE –
(Barrel to side wall): 3.6"
MINIMUM SHAFT:
Between barrel and door shaft bracket 1"